

Section VII

Water Test

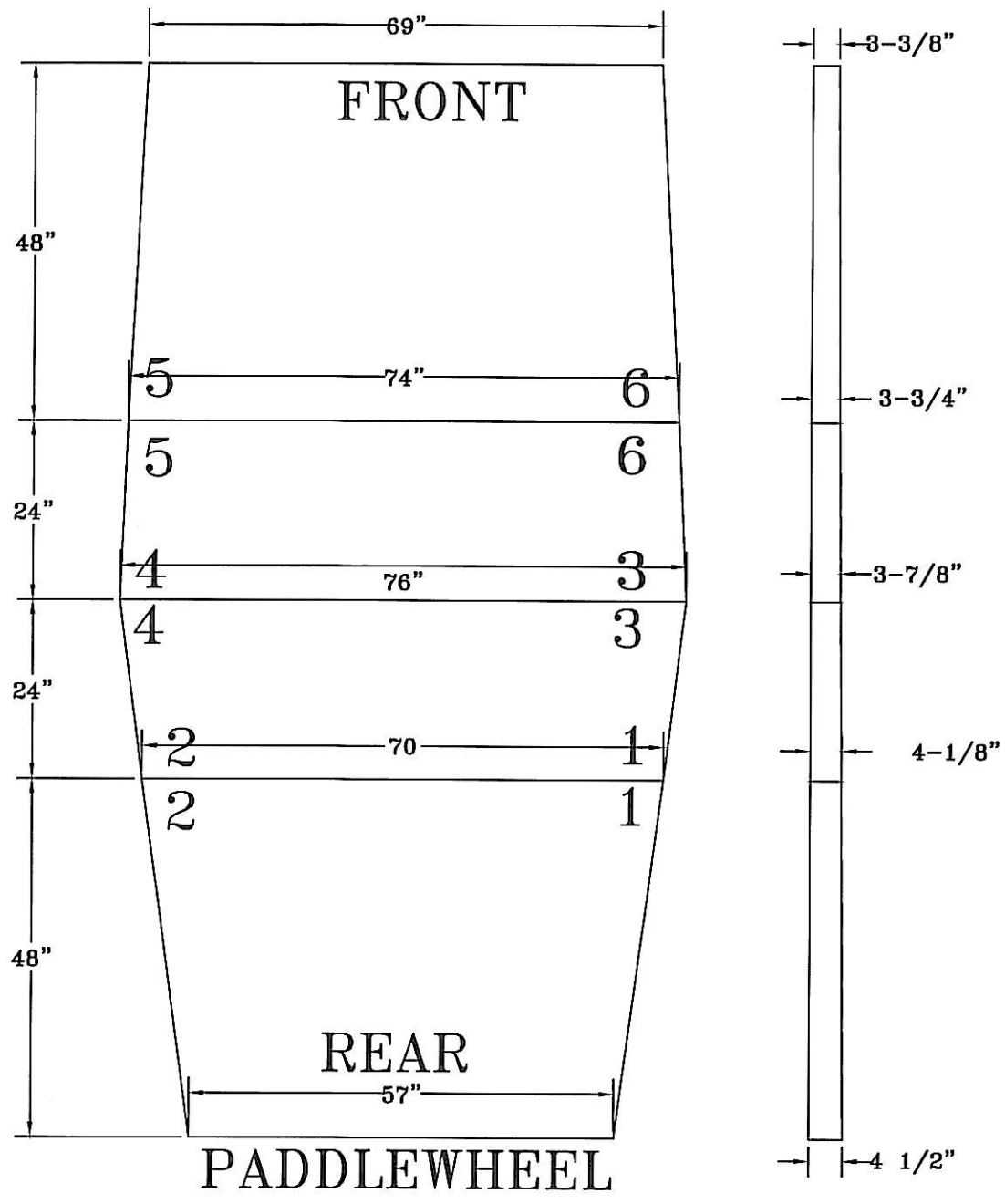
LOWERING THE ASSEMBLED SWIMEX ONTO PADS

1.1 After letting the unit "set" for 12 hours, re-tighten **all** flange bolts (See Section 3.3 of the "Pool Assembly" section), and lower the assembled unit onto the rigid foam pads. (Refer to the diagram at end of this section.) These pads are shipped in sections and are clearly numbered per diagram. The pads must be assembled and placed under the bottom of the SwimEx accordingly. Slide the pads under the unit while it is still resting on the platform. The rear of the SwimEx is the paddlewheel, Section (U1). Be certain that the 4" thick pad marked "Rear SwimEx" is located adjoining the paddlewheel section. The 3" thick pad marked "Front" is located adjoining the front end cap (Section U4). These pads will support the unit on the flat bottoms of Sections U2 & U3. Set the pads in position so that when the unit is lowered, the three bottom flanges and ribs will rest **between** the pads, not on top of the pads. Also, be careful not to snag the bolt ends on the pads when lowering the unit.

1.2 Once the pads are in place, prepare to *slowly* lower the assembled unit onto the pads. Make sure there are no objects or obstructions in the area where the SwimEx will set. Place jacks under the lifting tabs. Slowly raise the unit high enough to remove the assembly platform. After removing the platform, slowly lower the SwimEx onto the foam pads. The unit must remain horizontal during the lowering process. Just before the unit reaches the pads, check the alignment of the pads to make sure that the flange mounting bolts, and the flanges themselves, will rest between the pads. The flanges do not bear any weight. If, when lowering the pool onto the pads, the flanges or bolts rest on the pads, the unit must be raised slightly and the pads realigned until all flanges fit between the pads. The seam flanges should now sit approximately 1/2" above the floor with the flat bottom of Sections U2 & U3 sitting on the pads. **IMPORTANT:** Once the unit is lowered onto the pads, it cannot be moved without raising the unit again and repeating the above steps.

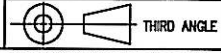
WARNING: Never fill the unit with water unless the foam pads are properly in place.

REVISIONS				
REV	DESCRIPTION	BY	APPR.	DATE



NO.	PART NO.	DESCRIPTION	QTY
PARTS LIST			
SWIMEX, INC.		PROJECT FOAM PADS STANDARD	
846 Airport Rd. Fall River, MA 02720 TEL. (508) 648-1800 FAX (508) 675-0525		TITLE SWIMEX FOAM FOAM STANDARD SET	
.XX	.XXX	ANGLES	UNLESS OTHERWISE SPECIFIED: MACHINED SURFACE FINISHES ¹²⁵ / _V MACHINED FILLET RADI .015-.030
ALL DIMENSIONS IN		SIZE A	DWG NO. FOAMPADS
NEXT ASSY		TR PART #	DR BY:
USED ON		DRK BY:	APPD BY:
APPLICATION		DATE:	SCALE:
THIS DOCUMENT IS THE PROPERTY OF SWIMEX AND IS NOT TO BE USED OR REPRODUCED IN WHOLE OR IN PART WITHOUT WRITTEN PERMISSION.		FILED: WNMN	SHT: 1 OF 1

DWG NO.
foampads



WATER TESTING THE ASSEMBLED UNIT

2.1 IMPORTANT: THE ASSEMBLED UNIT MUST NOW BE TESTED FOR ANY LEAKS **BEFORE** INSTALLING A PERMANENT DECKING AROUND IT. Make sure the pool is resting on the foam pads and all water shut-off valves are in the off position. The off position is noted by the valve handles being 90° (perpendicular) to the water lines. The main drain valve (See “Blueprints”), which is shipped loose, must be installed to the threaded line coming out of the front section (U4). It must then be turned to the off position. Also, tighten all threaded connections in the PVC piping. **Note:** Before filling the unit with water, it should first be cleaned and waxed with a fiberglass boat wax.

2.2 Fill the SwimEx with water to the level indicated on the SwimEx label at the front end of the unit. Carefully inspect all seams and valves for any leaks. Turn the shaft of the paddlewheel by hand a few rotations and check the seals for leaks. Inspect the unit for leaks and rotate the paddlewheel over several hours. After ensuring there are no leaks, the SwimEx can be drained if other construction is pending, and it will be awhile before the unit is ready for use.

NOTE: MEASUREMENTS FOR FINISHED FLOOR/DECKING MUST BE MADE WHEN THE POOL IS FILLED WITH WATER, AS THE UNIT (ESPECIALLY THE FRONT) WILL RISE SLIGHTLY WHEN EMPTIED.

In such cases, we recommend covering the SwimEx for protection.

If leaks occur, first retighten the bolts in the area where the leak is found. If you suspect leaks along the bottom flanges, the pool must be drained, raised, and the bolts retightened along the bottom flanges. Then, lower the pool back onto the pads and refill the pool. If this does not stop the leak, call SwimEx at (800) 877-7946. If you plan to leave the water in the unit, make sure you follow the Water Quality Guidelines in the Owner's Manual -- Section 8.0.